

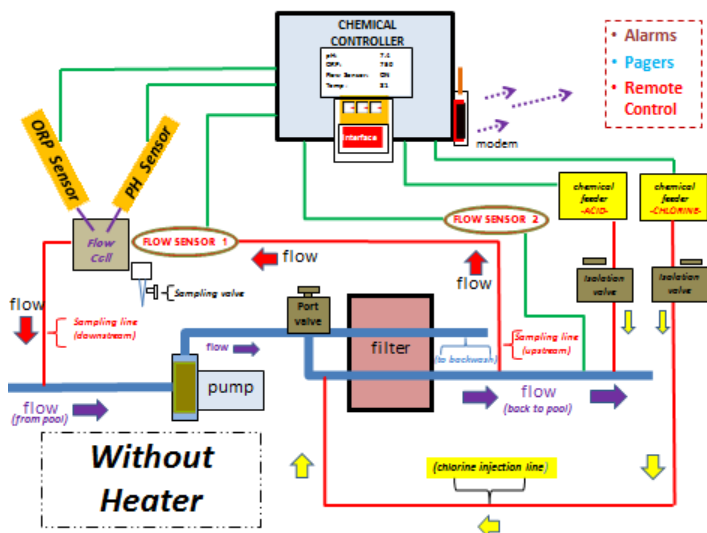
**For improved understanding of pool safety and insight into new developments pertaining to the regulatory oversight of public pools, the following items are outlined to include several new requirements prompted by amendments to Title 24 of the California Building Code (effective September 1<sup>st</sup> of 2012) and Title 22 of California Code of Regulations (effective January 1, 2015). This is a summary overview and not intended as a comprehensive description of the amended regulations.**

- **Water Characteristics:** The following chemical and temperature values are required of every public pool.

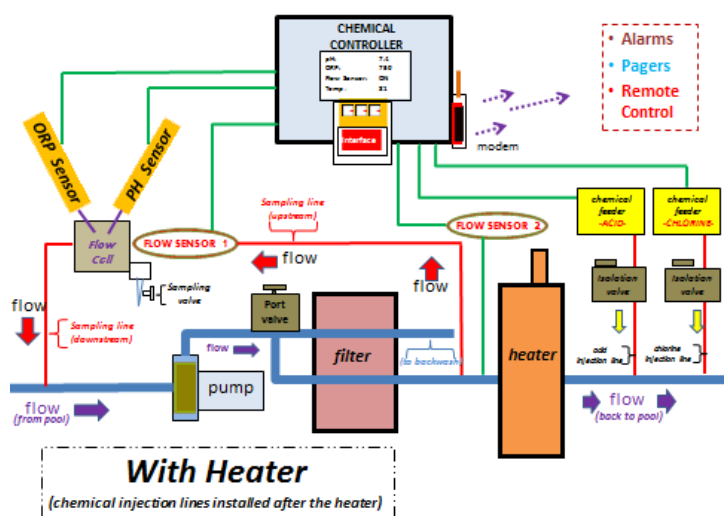
	Free-Chlorine Residual				Bromine Residual		pH	Min	Max		
	Without CYA (cyanuric acid)		With CYA (cyanuric acid)								
	Min	Max	Min	Max	Min	Max					
Swimming Pools	1.0 ppm	10.0 ppm	2.0 ppm	10.0 ppm	2.0 ppm	=	7.2	7.8			
Spas, Waders, & Spray Grounds	3.0 ppm	10.0 ppm	3.0 ppm	10.0 ppm	4.0 ppm	=	Not applicable	104° F			
									Cyanuric Acid	0 ppm	100 ppm

- **Chemical Controllers:** On September 1, 2012, Chapter 31B of the California Building Code was amended to include chemical controllers. Units installed on or after September 1, 2012 may be subject to plan review and approval. Contact the Contra Costa County Environmental Health Plan Review Program for further information. A properly calibrated automatic chemical monitoring and control system may be used to monitor the water constituents if approved by the enforcing agent and in accordance with the manufacturer's equipment specifications for calibration and directions for proper use. Written daily record of all test results, equipment readings, calibrations, and corrective action notes and explanations must still be kept on site.

*For systems without heating,* installing the chlorine injection line before the filter, with the acid injection line after filter – is suggested to reduce the risk of merging both chemicals. If this isn't possible, the injection points must be separated by a distance according to the manufacturer.



*For systems that include heating,* installation of the injection points must be situated upstream or after the heater to prevent chemical exposure to the heating elements. The injection joints must be separated by a distance according to the manufacturer.



- **Pool Records:** The following 5 forms included in this notice indicate the requirements for record keeping. If your facility retains existing standard operating procedures (SOPs) that already include or consider these records, the information contained within these forms can be augmented into your existing procedures and need not replace them. All forms must be made available upon request and retained for at least 2 years.

1. Public Pool Operation Records

<http://cchealth.org/eh/recreational-health/pdf/Pool-Operation-Log.pdf>

2. Fecal Vomit Blood Incident Response Report

<http://cchealth.org/eh/recreational-health/pdf/Fecal-Vomit-Blood-Form.pdf>

3. Lifeguard Recordkeeping Checklist (required only from sites with lifeguard service)

<http://cchealth.org/eh/recreational-health/pdf/Lifeguard-Checklist-Form.pdf>

4. Reportable Waterborne Illness - **Report to Contra Costa Environmental Health within 24 hours.**

<http://cchealth.org/eh/recreational-health/pdf/Reportable-Waterborne-Illness-Form.pdf>

5. Drowning Incident Response - **Report to Contra Costa Environmental Health within 24 hours of an actual drowning or fatality.**

<http://cchealth.org/eh/recreational-health/pdf/Drowning-Incident-Form.pdf>

- **Rescue Equipment:** Pools exceeding 75 feet in length or 50 feet in width require a rescue pole and a life ring on at least **two** opposing sides of the pool at centralized locations.



- **Anti-Entrapment Units and Systems Suction Outlets:**

Resubmit the **California Department of Public of Health Compliance Form** <http://cchealth.org/eh/recreational-health/pdf/AB1020-State-Compliance-Form.pdf> upon installing or replacing any **suction outlet fitting** (main drains & skimmer equalizer line covers) or **secondary vacuum release system (SVRS)**. Within 30 days of installing/replacing/retrofitting (main drains, skimmer equalizer line covers, and safety vacuum release systems), resubmit the form with information accurately identifying the added or replacement product. This form requires certification with signature from a qualified state licensed contractor or engineer licensed to perform work within his or her general, specialty, or limited specialty contractor's licensed scope of practice.

- Suction outlets fittings may retain a life expectancy. The fitting(s) within your pool may have surpassed its lifespan. Contact the manufacturer to determine the lifespan of the product in your pool. Replace the fittings prior to the LIFE-SPAN expiration.
- If the pool recirculation system has check valves, hydrostatic relief valves, or contains additional pumps and motors, such components may prevent your SVRS from working properly. Consult your pool contractors to verify compatibility with your SVRS.
- The suction outlets fittings (*main drains & skimmer equalizer line covers*) and SVRS may be under recall by the manufacturer. This product was incorrectly rated for protection against body entrapment and could pose a hazard to swimmers and bathers. Immediately contact the manufacturer for replacement or retrofitting options. Refer to Consumer Product Safety Commission News Announcement for further details. <https://www.cpsc.gov/Recalls/2011/frequently-asked-questions>
- The U.S. Consumer Product Safety Commission no longer accepts the use of “unblockable” drain covers, when imposed over a drain suction outlet or sump of smaller dimension. Such configurations may now require an additional secondary safety device such as the SVRS.

- **Variable Speed Pumps:** There are two types of variable pumps: the VF and VS+SVRS. The VF or “variable flow” pump typically lacks the SVRS required for specific anti-entrapment applications. The VS+SVRS or “variable speed plus safety vacuum release system” pump includes the built-in safety device. Always determine the appropriate setting for your variable speed pump in accordance with the manufacturer’s instructions. All plumbing and equipment must be sized to accommodate the maximum flow of the pump at 60 feet of head at the highest rpm. The flowmeter must be accurate and properly installed. The pump’s lockout flowrate and timer must be set to provide at least the minimum required turnover rate and length of time the pump is running (whenever the pool is open for use and any additional time to maintain sufficiently clean and clear water.

- **Access for the Disabled:** Public swimming pool establishments categorized as either *public accommodation* (motel / hotel) or **municipal** (state and local government) are required to retain services and programs rendering accessibility to pool users with disabilities. For further information and inquiries please contact your Local Building Authority and follow this link for an overview from the US Dept. of Justice: [https://www.ada.gov/pools\\_2010.htm](https://www.ada.gov/pools_2010.htm)

**Note: [DSA-AC] Any mechanism provided to assist persons with disabilities in gaining entry into the pool and in exiting from the pool shall comply with Chapter 11 B, Section 11048.4.3, Participation Areas.**



- **Spray Parks - Ultra Violet System:** On September 1, 2012, Chapter 31B of the California Building Code was amended to require supplemental UV systems for spray parks. If your spray park was constructed, remodeled, or retrofitted on or after September of 2012, please be advised of CLOSURES for UV levels of less than 40 mJ/cm<sup>2</sup>.

- **Single Pressure Gauge:** An effluent pressure gauge is no longer required. However, a single influent pressure gauge is still required (with an outer dial indicator for determining backwashing) installed in between the pump and filter (but more often found on top of the filter).



- **Outdoor Shower:** Soap dispensers are no longer required for outdoor rinse-off showers.

- **Shell Replastering:** Prior to commencing any remodel, renovation, or shell resurfacing contact the Plan Review Program /Contra Costa Environmental Health for further requirements.



- **Signs:** On September 1, 2012, Chapter 31B of the California Building Code was amended to include new safety sign requirements. Signs not previously required shall be installed by the 2014 pool season. <http://cchealth.org/eh/recreational-health/pdf/Safety-Signs-for-Pools.pdf>

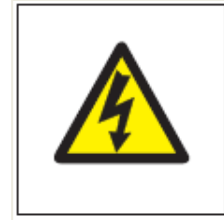
## Recommendations:

- **Lockboxes:** Provide an onsite lockbox for retaining keys that allow entry into the pool and all ancillary areas. Provide Contra Costa Environmental Health with the lockbox access code.
- **Chemical Storage:** Maintain proper chemical containment. Maintain complete separation between incompatible chemicals. Contact the Contra Costa Hazardous Materials Program for further information at 925-335-3200.
- **DE Filters:** Be advised of restrictions from multiple cities and townships for discharging DE effluent waste into the sanitary sewer. Contact your local sanitary district for restrictions and allowances. The use of an approved cellulose-based filter media alternative in lieu of DE is strongly recommended.
- **Required vs. Seasonal Closures**
  - **Seasonal Closure:** (whether seasonal or temporary) is initiated by the facility management by rendering all pool gates or doors locked with closure sign(s) posted; outside the routine inspection conducted by Environmental Health, and prior to

the inspector's arrival. Please be advised of differences between a temporary seasonal "Closure" sign for restricting access into the pool area, and a permanent "Keep Closed" intended as a reminder to close the pool gate or door.

➤ **Required Closure:** Rendered by the inspector for major violation(s), necessitating public access restriction with official closure sign(s) posted by Contra Costa Environmental Health.

- **Electrical:** Routinely monitor the condition of the GFCI (ground fault circuit interrupter) for the pool lighting. When necessary repair or replace in accordance with the manufacturer. Retain approval from your local building authority when replacing GFCIs or any other electrical component if not identical to the existing unit. All electrical work required for compliance shall be performed by a person licensed to perform electrical work within his or her general, specialty, or limited specialty contractor's licensed scope of practice



Contact your local building authority for electrical bonding requirements prior to replacing or installing any of the following:

- hand/grab rails/ ladders
- GFCIs (ground fault circuit interrupters)/electrical outlets/switches
- diving board/starting blocks
- motorized pumps or air blowers
- underwater or overhead lights
- heaters